



THE GATE CLOSER SPECIALISTS

Easy 200/400/600 pedestrian gate closer

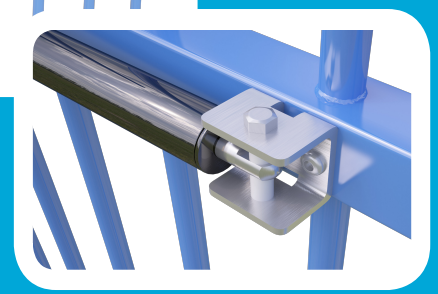
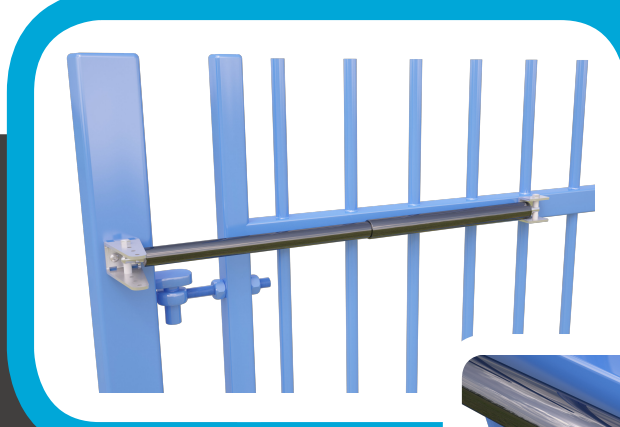
By design, the Easy 200/400/600 pedestrian gate closer is an inexpensive easy to install pedestrian gate closer that you will find suitable for a wide range of hinge types, post sizes and gate weights.

With three different closer strengths to choose from, you can confidently choose the correct gate closer for most applications, giving your customer a reliable gate closing function.

Likewise, you can select and install an Easy pedestrian gate closer along with other security products to provide reliable gate closing; for example, to operate with an electromagnetic lock as part of an access control system.

With maintenance limited to periodic inspection and lubrication, your customer has little or nothing to consider for ongoing maintenance costs. Should a gate closer cease to function, you or your customer can fit an inexpensive replacement gate closer cylinder in five-minutes.

Made completely from substantial metal components, the Easy 200/400/600 pedestrian gate closer is a robust unit you can weld or screw fix to an application. Installation is simple and quick.



Key features:

Weld or screw fix

3 different closer strengths

Gate weights up to 100 kg

Gate widths 0.8 to 2.0 mt

Strength adjustment

Hydraulic speed control

Gas release adjustment unnecessary

90 degree opening angle

Suitable for metal or timber gates

Black polymer coated steel cylinder

Easy 200/400/600 pedestrian gate closer

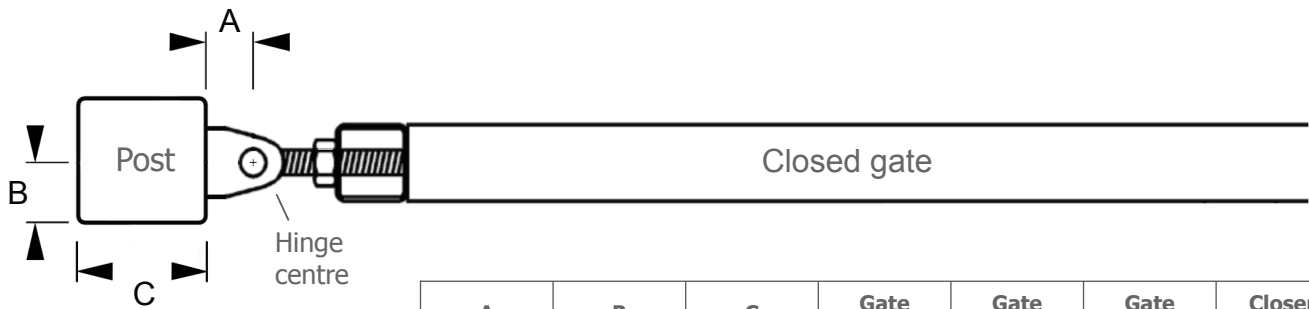
Please view the next page to see a selection table and other information to help you choose the correct Easy pedestrian gate closer for your job.

Selecting the correct gate closer



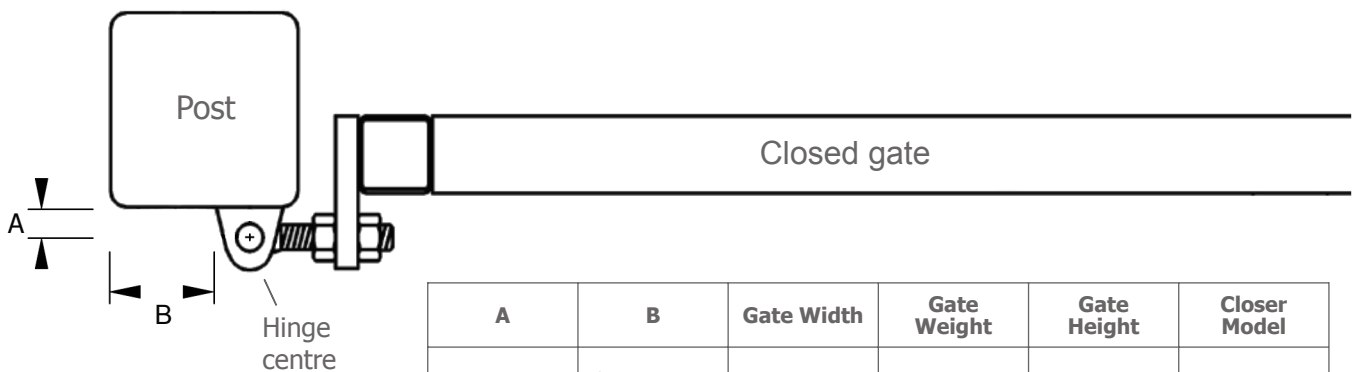
Most gates use one of the hinge arrangements shown below. Selection is simply completed by matching your gate details to the information below.

If the gate to which you intend to install a closer has a different hinge arrangement, please contact us for free advice about selecting a suitable gate closer.



In-line (centre mount)
hinge arrangement

A	B	C	Gate Width	Gate Weight	Gate Height	Closer Model
20-50 mm	Max. 50 mm	Min. 50 mm	0.8 to 1.2 m	Up to 50 kg	Up to 1.8 m	Easy 200
20-50 mm	Max. 50 mm	Min. 50 mm	1.2 to 1.5 m	Up to 80 kg	Up to 1.8 m	Easy 400
20-50 mm	Max. 50 mm	Min. 50 mm	1.5 to 2.0 m	Up to 100 kg	Up to 1.8 m	Easy 600



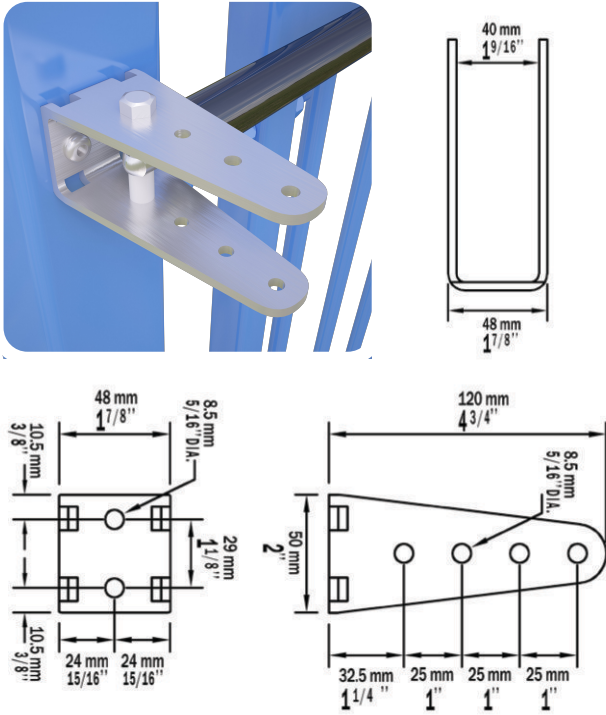
Offset (back hung)
hinge arrangement

A	B	Gate Width	Gate Weight	Gate Height	Closer Model
Max. 50 mm	Min. 50 mm	0.8 - 1.2 m	Up to 50 kg	Up to 1.8 m	Easy 200
Max. 50 mm	Min. 50 mm	1.2 - 1.5 m	Up to 80 kg	Up to 1.8 m	Easy 400
Max. 50 mm	Min. 50 mm	1.5 - 2.0 m	Up to 100 kg	Up to 1.8 m	Easy 600

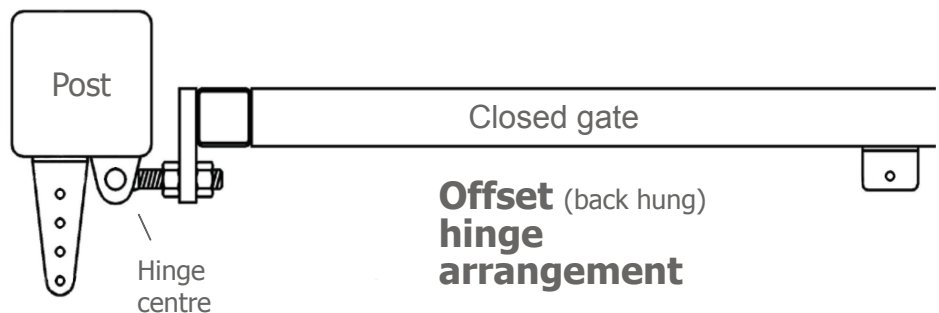
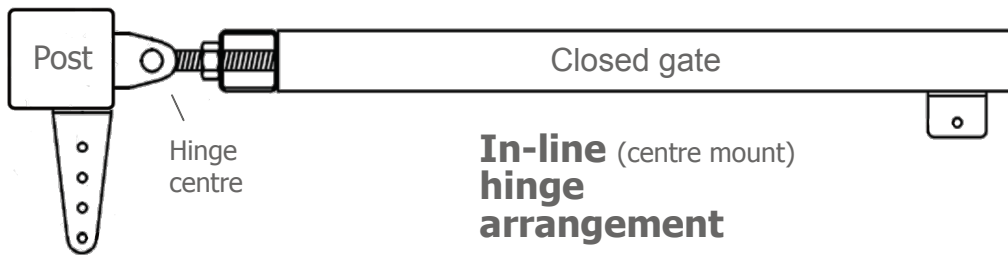
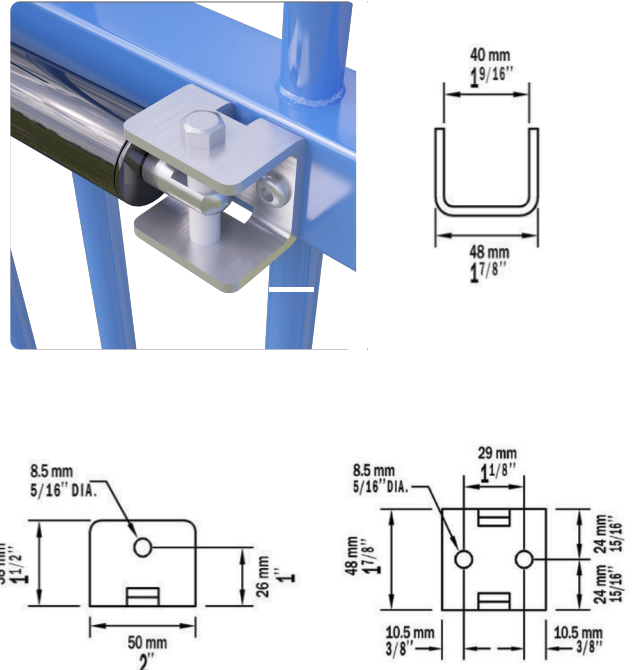
Gate closer brackets



Post Bracket



Gate Bracket



Installation essentials



Here are a few essentials that will ensure your installation is successful.

- Make sure hinges are freely moving and lubricated
- Test the gate swing to find out if the gate drops and repair if necessary
- Make sure post and gate are vertically and horizontally aligned
- Post and gate bracket must be horizontally aligned
- Fit one gate stop (normally the lock performs this function) to restrict the swing of the gate from passing through the post line when the gate closes
- Fit another gate stop to restrict the opening angle of the gate to 90 degrees
- Use good quality strong fasteners to secure the gate closer brackets (not included)

Buying your gate closer

Product Code	Description
GATECLOSER069	Easy 200 pedestrian gate closer, black finish
GATECLOSER070	Easy 400 pedestrian gate closer, black finish
GATECLOSER071	Easy 600 pedestrian gate closer, black finish

From time to time, you will have to install a closer to a gate where the hinge arrangement is neither in-line or offset. Or, you may find the minimums and maximums shown in the selection table are not achievable.

For any of the above situations, or if you need clarification about something, please call +44 (0)1634 819651 or send an email to solutions@gatecontrolgear.com. We will be pleased provide you with the help you need.